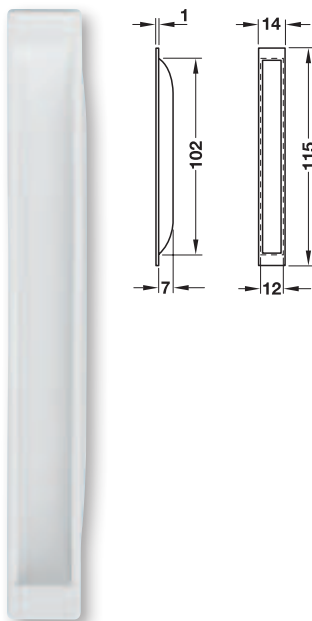


Inset handle, Rectangular



- > Material: Plastic
- > Housing depth: 7 mm

Colour/finish	External dimensions mm	Housing dimensions mm	Cat. No.
White	115 x 14	102 x 12	158.05.704

Packing: 1 or 500 Piece

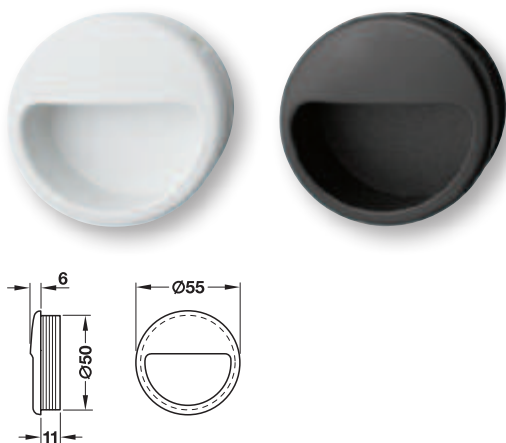
Order reference

Please order round head metal pins Ø 1.6 mm separately.

! Round head metal pin

► MB 1.483

Inset handle, Round



- > Material: Plastic
- > Housing depth: 11 mm

Colour/finish	External Ø mm	Housing Ø mm	Cat. No.
White	55	50	158.23.702
Black	55	50	158.23.300

Packing: 1 or 25 Piece

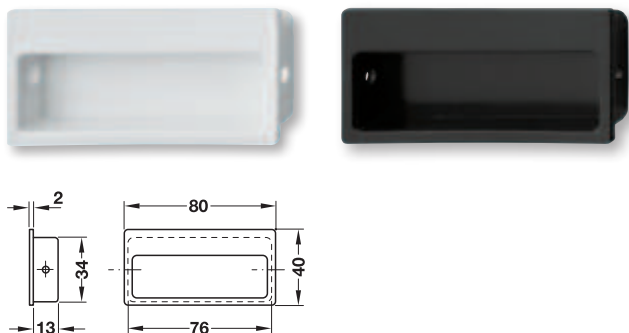
Order reference

Please order round head metal pins Ø 1.6 mm separately.

! Round head metal pin

► MB 1.483

Inset handle, Rectangular



- > Material: Plastic
- > Housing depth: 13 mm

Colour/finish	External dimensions mm	Housing dimensions mm	Cat. No.
White	80 x 40	76 x 34	129.57.701
Black	80 x 40	76 x 34	129.57.603

Packing: 1 or 100 Piece

Order reference

Please order countersunk head screws Ø 2.5 mm separately.

! Wood screw, Countersunk head

► MB 1.482